



HANGCHA GROUP CO., LTD.

Factory site: 666 Xiangfu Road,
Hangzhou, Zhejiang, China (311305)

Tel: +86-571-88926735 88926755
Fax: +86-571-88926789 88132890

sales@hcforklift.com www.hcforklift.com



Follow us on
Facebook



Follow us on
YouTube



Follow us on
WeChat



Download "Hangcha
Forklift" App



ISO45001:2018



ISO14001:2015



ISO9001:2015



HANGCHA trucks conform to the European Safety Requirements.

X SERIES

HI-RANGE PALLET TRUCK
WITH LITHIUM POWER

With capacity of 2,000 to 3,000kg

X SERIES HI-RANGE ELECTRIC PALLET TRUCK

X series Hi-range electric pallet truck are a new generation of products newly developed by Hangcha for warehousing and logistics applications. Using the advanced permanent magnet brushless drive technology and equipped with a new 48V system, the products have advanced performance, comfortable, safe and reliable operations and low use and maintenance costs, and are ideal tools for loading, unloading and handling palletized goods in warehouses, supermarkets and workshops.



RUGGED ON THE OUTSIDE.

- The X series Hi range electric pallet truck adopts a professional industrial design of exterior and a series family design. The vehicle has a smooth vivid profile and a fully ergonomic design, following the latest exterior design trend.
- Made of high-strength steel plates that are molded by stamping, the vehicle exterior is robust, durable and high-grade, and meets environmental protection requirements.



HIGH PERFORMANCE

- With high power drive motor, provides fast travel speed and good gradeability.
- The permanent magnet synchronous drive system has excellent performance and low energy consumption. The 48V power supply system has less heat generated.
- With the VCU control, the vehicle can be controlled accurately, stably and more efficiently.



Charging port

Pedestrian type

 **6.0** km/h
Travel speed (laden)

 **10%**
Gradeability (laden)(2t)

Stand-on type

 **9.5** km/h
Travel speed (laden)(2t)

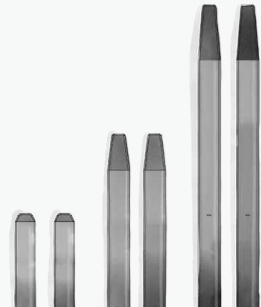
 **10%**
Gradeability (laden)(2t)

The electronic steering provided for the standard configuration enables easier and more flexible operation.



ENJOY YOUR WORK.

Customer can choose different width of outside fork and length of forks to fit variable pallet



The new torsion bar - equipped auxiliary wheel system enables the vehicle to drive stably.



The standing driving pedal with shock-absorbing design significantly improves standing driving comfort and reduces long-time driving fatigue.

RELIABILITY

- With the low center of gravity design and a high-strength steel frame structure, the vehicle frame has a large residual load capacity.
- The hydraulic power unit applied to provide low noise, low vibration, smooth lifting and landing reliable operation.



MORE PROTECT



Water-proof plugs and connectors applied to provide a reliable protection to electric system.



The integral metal rear hood can withstand external impact.



The stamped fork with higher strength and impact resistance, and guided fork prongs, further improve operation efficiency.

NEW TILLER

- The novelly developed tiller is compact and stylish.
- Displayed turtle speed function applied to move slowly and helps to stack goods in narrow spaces.



PIN code access

COMFORT

- Optimized designing structure to offer a good visibility and easy entrance of the pallet.
- Using non-contact proximity switch, it can provides long life and reliable operation.
- The compact body and big rounded design provide an ideal operation in limited space, and the wedge designed chassis greatly increases the passing ability.

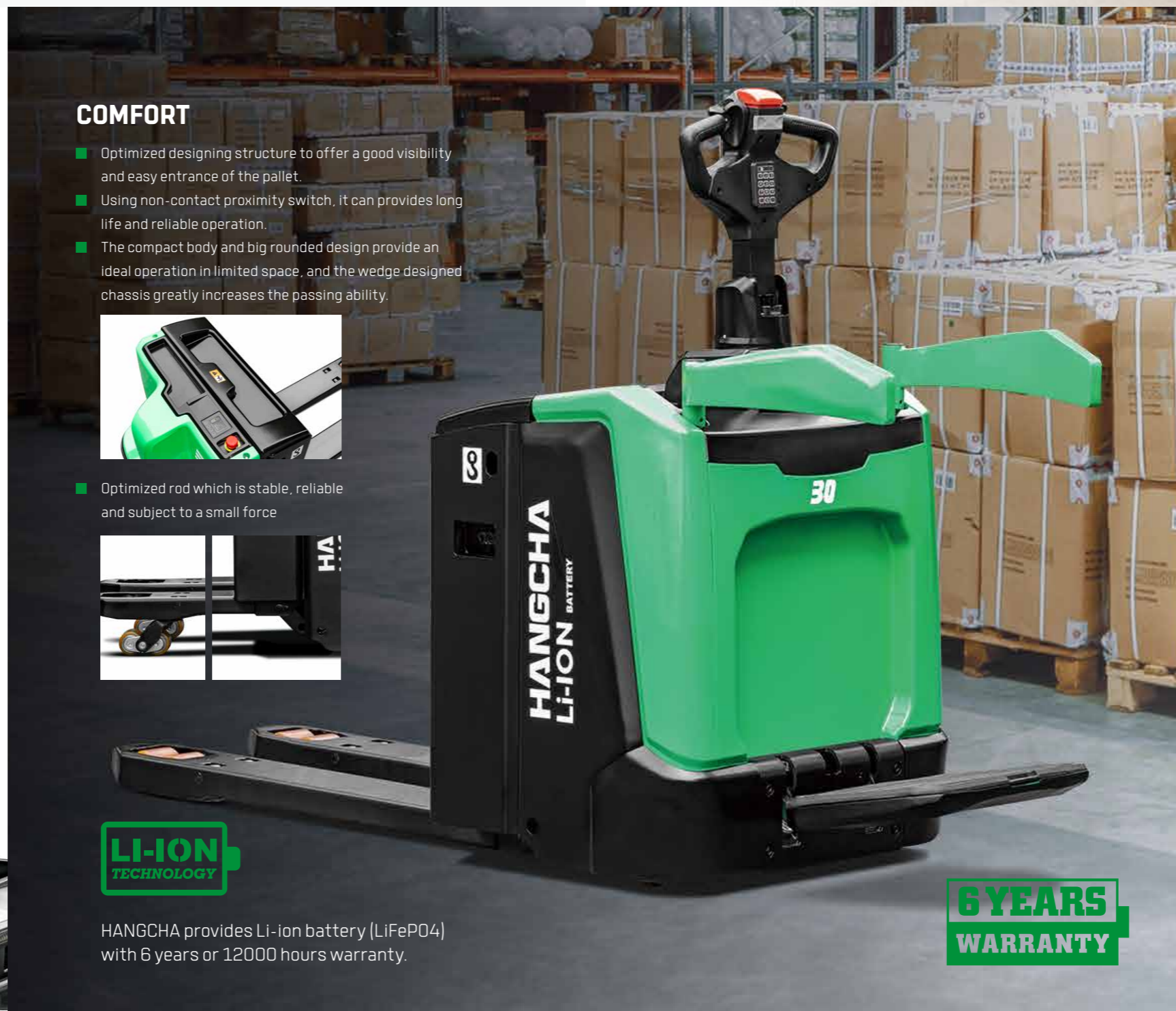


- Optimized rod which is stable, reliable and subject to a small force

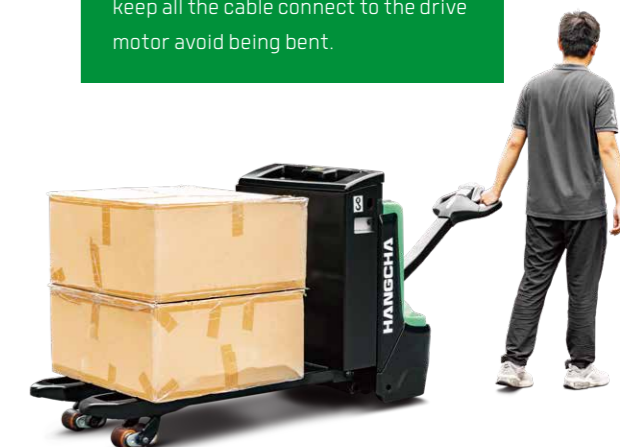


HANGCHA provides Li-ion battery (LiFePO4) with 6 years or 12000 hours warranty.

6 YEARS WARRANTY



Pedestrian type use the new design drive system, the drive motor will not accompany the tiller rotation, it can keep all the cable connect to the drive motor avoid being bent.





The applied slope anti-slip function ensures the safety of the operation.

PROTECT YOUR INVESTMENT

WITH THREE BRAKING TYPES:
Releasing brake, reversing brake and emergency brake, the driving safety has been ensured.



The emergency button on the tiller head can effectively avoid the harm to the driver.



Lifting limitation switch to offer protection to the loads from damaging.



48V
VOLTAGE
WITH
PERMANENT MAGNET
SYNCHRONOUS DRIVE MOTOR

Maintenance-free permanent magnet synchronous motor.

MAINTENANCE

- All shafts installed lubricated shaft sleeve and oil cup, provide convenient maintenance and long service life.
- Rear cover can be completely open, operator can see all the components, so the maintenance is very convenient.

The fault information can be checked directly via the interactive instruments instead of the manual.



Features

| Truck | Standard | Options |
|--|----------|---------|
| 48V permanent magnet synchronous drive motor | ● | |
| Hydraulic power unit | ● | |
| PU drive wheel | ● | |
| 1150mm fork length | ● | |
| 540mm outside fork width | ● | |
| 48V/80Ah lithium battery(EVE) | ● | |
| Balance wheels | ● | |
| Double load wheels | ● | |
| Different length of forks | | ○ |
| Different width of outside fork | | ○ |
| Single load wheel | | ○ |
| 48V/105Ah lithium battery (EVE) | | ○ |
| 48V/125Ah lithium battery (CATL) | | ○ |
| Controls and instruments | | |
| Multi-function tiller | ● | |
| USB power supply | ● | |
| Key switch | | ○ |
| Electric steering(stand-on type) | ● | |
| Systech controller | ● | |
| Interactive meter | ● | |
| Electronic lifting limitation | ● | |
| PIN code access | ● | |
| Safety | | |
| Emergency disconnect switch | ● | |
| Turning deceleration(stand-on type) | ● | |
| Horn | ● | |
| Other | | |
| 48V30A charger | | ○ |
| 48V50A charger | | ○ |



LITHIUM POWERED

EMPOWER YOURSELF
WITH THE BEST



Li
Lithium

POWER THE POSSIBILITIES
RELIABLE LITHIUM-ION TECHNOLOGY



LITHIUM BATTERY ADVANTAGES



Long service life

4000 full charging cycles with at least 80% residual capacity.



Cold area application

Li-Ion batteries maintain high performance at temperatures below freezing.



Return on investment

Add flexibility to your operation, cost-saving in the long term, increased efficiencies.



High safety and reliability

Intelligent battery management monitoring every important function, no emission of battery gasses.



Maintenance free

No topping up of water or checking acid levels.



Opportunity charging

Full performance during several shifts thanks to effective interim charging.



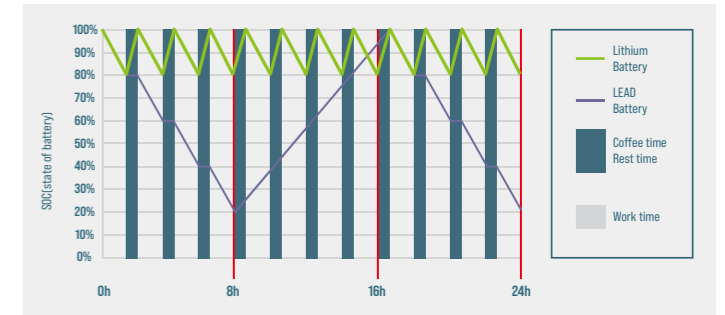
High energy density

The high energy density of the Li-Ion battery ensures long working times and increases the high availability.

FEATURES & BENEFITS THE HANGCHA DIFFERENCE

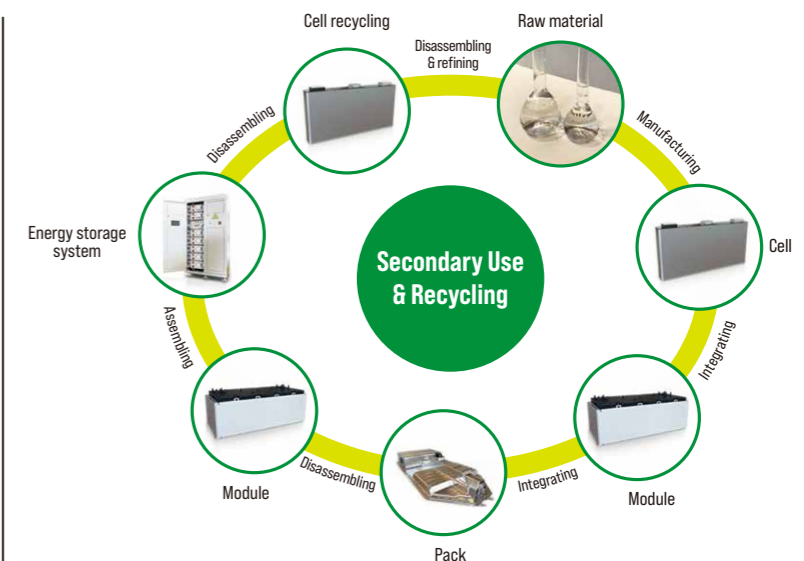
Efficiency

By quick opportunity charging any downtime, such as a lunch break, can be efficiently used and the battery is recharged in a very short period of time. Interim charging does not affect the battery service life.



Safety

- / Intelligent battery management monitoring every important function.
- / Higher user safety, thanks to acid-free use.
- / User friendly due to avoided battery change.
- / No emission of battery gasses.



QUESTION 1

Q: What are the characteristics of lithium batteries, especially when used in high and low temperature environments?

Charging temperature: 0°C - 65°C
Discharge temperature: -30°C - 65°C
Storage environment temperature: -30°C - 60°C

After the truck key switch is closed, the instrument battery condition needs to be checked:

1. Confirm that there is no battery system alarm message on the instrument panel.
2. Please check the remaining power before use. It is recommended to use the SOC between 50% and 100%.
3. If the SOC is lower than 20%, it is not recommended to continue using it. Please charge it as soon as possible.

QUESTION 2

Q: What is the charging time and usage time calculation of forklift lithium battery?

1. Available power of lithium battery (kWh) = rated voltage × rated power × 90% (To avoid over-discharge damaging the battery, the forklift is equipped with low power protection (less than 10%).)
 2. Charging time (h) = rated capacity of lithium battery (Ah) × 90% ÷ charger output current (A).
 3. The power consumed for charging (kWh) = the available power of the lithium battery ÷ 93% (the charging efficiency of the charger is calculated as 93%).
 4. Usage time (h) = available power of lithium battery ÷ energy consumption data.
- For specific energy consumption values, please refer to the technical table on the sharing platform.**

QUESTION 3

Q: How does Hangcha BMS work to ensure the safety of the lithium battery?

HANGCHA BMS (battery management system) can monitor the cells at all time. As a result, hangcha lithium power is the reliable solution.



Battery Safety Management:

- Overcharge/over discharge protection
- Overcurrent/over-temperature/low-temperature protection
- Multi-level fault diagnosis protection
- Double fault monitoring



Battery Parameter Detection:

- Battery voltage detection and analysis
- Battery current detection and analysis
- Battery temperature detection and analysis



Equilibrium Management:

- Equalization based on voltage mode
- Equalization based on time mode
- Equalization based on battery cell SOC
- Active/passive equalization optional



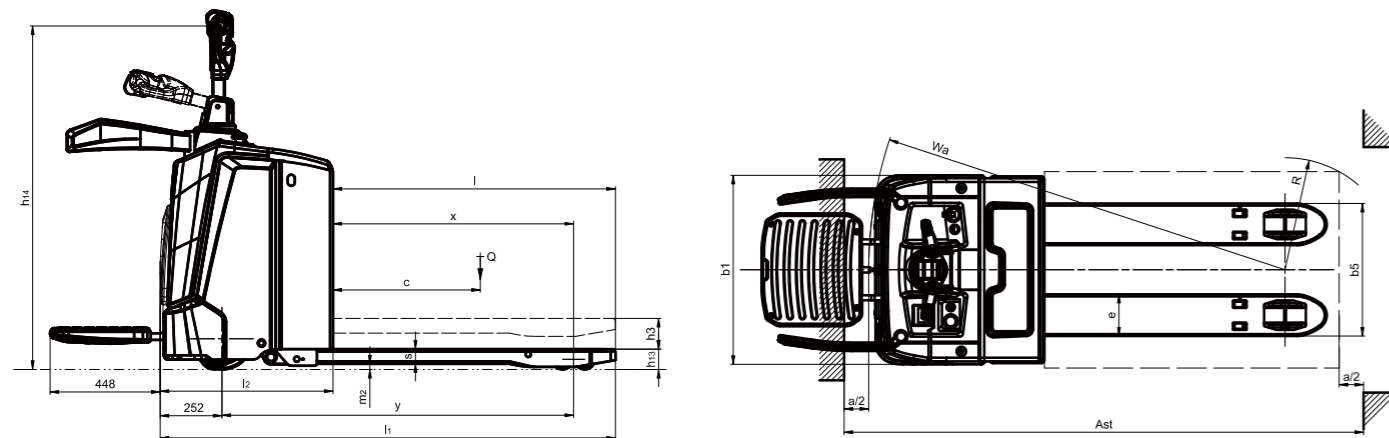
Other Features:

- Low cost, low power consumption
- Historical data record
- Flexible cascade expansion
- CRC data validation

Technical data

| Distinguishing mark | 1.1 | Manufacturer (abbreviation) | HANGCHA GROUP CO.,LTD. | |
|---------------------|--------|--|---------------------------------|--------------------------|
| | | 1.2 | Manufacturer's type designation | CBD20-XT1S-SI |
| | 1.3 | Drive: electric (battery type, mains, ...), diesel, petrol, fuel gas | Electric | Electric |
| | 1.4 | Operator type: hand, pedestrian, standing, seated, order-picker | Standing | Standing |
| Weight | 1.5 | Rated capacity/rated load | kg | 2000 |
| | 1.6 | Load centre distance | c (mm) | 600 |
| Tyres, chassis | 1.8 | Load distance, centre of drive axle to fork | x (mm) | 912/980 |
| | 1.9 | Wheelbase | y (mm) | 1364/1432 |
| Dimensions | 2.1 | Service weight | kg | 610 |
| | 2.2 | Axle loading, laden front/rear | kg | 950/1660 |
| Performance data | 2.3 | Axle loading, unladen front/rear | kg | 500/110 |
| | 3.1 | Tyres: solid rubber, superelastic, pneumatic, polyurethane | PU | PU |
| Electric-engine | 3.2 | Tyre size, front | Ø250-80 | Ø250-80 |
| | 3.3 | Tyre size, rear | Ø83-80 | Ø83-80 |
| Electric-engine | 3.4 | Additional wheels (dimensions) | Ø125-50 | Ø125-50 |
| | 3.5 | Wheels, number front/rear (* = driven wheels) | 1x +2/4 | 1x +2/4 |
| Dimensions | 3.6 | Tread, front | b10 (mm) | 505 |
| | 3.7 | Tread, rear | b11 (mm) | 370 |
| Performance data | 4.4 | Lift | h3 (mm) | 125 |
| | 4.9 | Height drawbar in driving position min./max. | h14 (mm) | 1170/1400 |
| Dimensions | 4.15 | Height, lowered | h13 (mm) | 85 |
| | 4.19 | Overall length | l1 (mm) | 1854 |
| Performance data | 4.20 | Length to face of forks | l2 (mm) | 704 |
| | 4.21 | Overall width | b1/b2 (mm) | 770 |
| Dimensions | 4.22 | Fork dimensions DIN ISO 2331 | s/e/l (mm) | 60/170/1150 |
| | 4.25 | Fork spread | b5 (mm) | 540 |
| Performance data | 4.32 | Ground clearance, centre of wheelbase | m2 (mm) | 23 |
| | 4.34.1 | Aisle width for pallets 1000 - 1200 crossways | Ast (mm) | 2064(2502) ¹⁾ |
| Dimensions | 4.34.2 | Aisle width for pallets 800 - 1200 lengthways | Ast (mm) | 2114(2552) ²⁾ |
| | 4.35 | Turning radius | Wa (mm) | 1627(2065) ³⁾ |
| Performance data | 5.1 | Travel speed, laden/unladen | km/h | 9.5/12.5 |
| | 5.2 | Lift speed, laden/unladen | m/s | 0.05/0.07 |
| Dimensions | 5.3 | Lowering speed, lade/unladen | m/s | 0.06/0.06 |
| | 5.8 | Max. gradeability, laden/unladen | % | 10/16 |
| Performance data | 5.10 | Service brake | | Regenerative |
| | 6.1 | Drive motor rating S2 60 min | kW | 2.2 |
| Electric-engine | 6.2 | Lift motor rating at S3 15 % | kW | 2.2 |
| | 6.4 | Battery voltage/nominal capacity | V/Ah | 48/80 |
| Performance data | 6.5 | Battery weight | kg | 60 |

Note: 1) According to VDI2198 standard+430mm. 2)According to VDI2198 standard+236mm. 3)Fork lower +68mm



Technical data

| Distinguishing mark | 1.1 | Manufacturer (abbreviation) | HANGCHA GROUP CO.,LTD. | |
|---------------------|--------|--|---------------------------------|--------------------|
| | | 1.2 | Manufacturer's type designation | CBD20-XT1-SI |
| | 1.3 | Drive: electric (battery type, mains, ...), diesel, petrol, fuel gas | Electric | Electric |
| | 1.4 | Operator type: hand, pedestrian, standing, seated, order-picker | pedestrian | pedestrian |
| Weight | 1.5 | Rated capacity/rated load | kg | 2000 |
| | 1.6 | Load centre distance | c (mm) | 600 |
| Tyres, chassis | 1.8 | Load distance, centre of drive axle to fork | x (mm) | 912/980 |
| | 1.9 | Wheelbase | y (mm) | 1340/1406 |
| Dimensions | 2.1 | Service weight | kg | 450 |
| | 2.2 | Axle loading, laden front/rear | kg | 840/1610 |
| Performance data | 2.3 | Axle loading, unladen front/rear | kg | 350/100 |
| | 3.1 | Tyres: solid rubber, superelastic, pneumatic, polyurethane | PU | PU |
| Electric-engine | 3.2 | Tyre size, front | Ø250-80 | Ø250-80 |
| | 3.3 | Tyre size, rear | Ø83-80 | Ø83-80 |
| Electric-engine | 3.4 | Additional wheels (dimensions) | Ø125-50 | Ø125-50 |
| | 3.5 | Wheels, number front/rear (* = driven wheels) | 1x +2/4 | 1x +2/4 |
| Dimensions | 3.6 | Tread, front | b10 (mm) | 475 |
| | 3.7 | Tread, rear | b11 (mm) | 370 |
| Performance data | 4.4 | Lift | h3 (mm) | 125 |
| | 4.9 | Height drawbar in driving position min./max. | h14 (mm) | 790/1205 |
| Dimensions | 4.15 | Height, lowered | h13 (mm) | 85 |
| | 4.19 | Overall length | l1 (mm) | 1745 |
| Performance data | 4.20 | Length to face of forks | l2 (mm) | 595 |
| | 4.21 | Overall width | b1/b2 (mm) | 735 |
| Dimensions | 4.22 | Fork dimensions DIN ISO 2331 | s/e/l (mm) | 60/170/1150 |
| | 4.25 | Fork spread | b5 (mm) | 540 |
| Performance data | 4.32 | Ground clearance, centre of wheelbase | m2 (mm) | 23 |
| | 4.34.1 | Aisle width for pallets 1000 - 1200 crossways | Ast (mm) | 1986 ¹⁾ |
| Dimensions | 4.34.2 | Aisle width for pallets 800 - 1200 lengthways | Ast (mm) | 2036 ²⁾ |
| | 4.35 | Turning radius | Wa (mm) | 1548 ³⁾ |
| Performance data | 5.1 | Travel speed, laden/unladen | km/h | 6/6 |
| | 5.2 | Lift speed, laden/unladen | m/s | 0.05/0.07 |
| Dimensions | 5.3 | Lowering speed, lade/unladen | m/s | 0.06/0.06 |
| | 5.8 | Max. gradeability, laden/unladen | % | 10/20 |
| Performance data | 5.10 | Service brake | | Regenerative |
| | 6.1 | Drive motor rating S2 60 min | kW | 2.2 |
| Electric-engine | 6.2 | Lift motor rating at S3 15 % | kW | 2.2 |
| | 6.4 | Battery voltage/nominal capacity | V/Ah | 48/80 |
| Performance data | 6.5 | Battery weight | kg | 60 |

Note: 1) According to VDI2198 standard+430mm. 2)According to VDI2198 standard+236mm. 3)Fork lower +68mm

